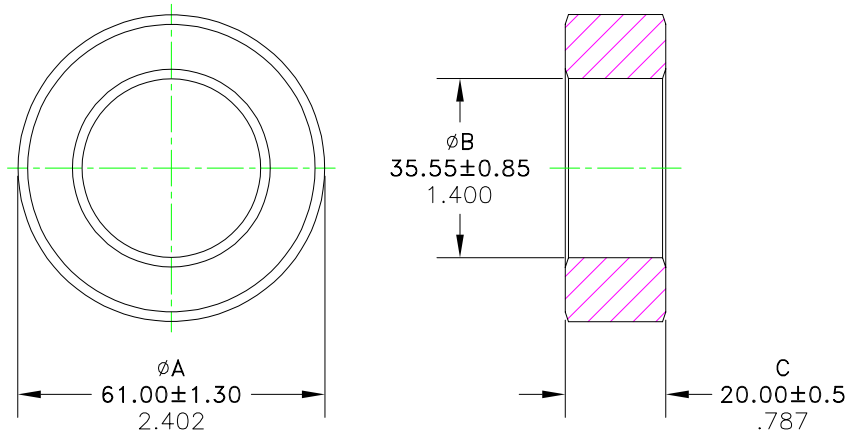


** Not all features are shown in this drawing. For more detailed information, please contact your Fair-Rite representative.

UNCONTROLLED COPY WHEN PRINTED


SIZE	PART NO.	REV.
B	2675828302	~



DIMENSIONS
BOLD NUMBERS ARE IN MILLIMETERS
 LIGHT NUMBERS ARE IN INCHES

ELECTRICAL SPECIFICATIONS							
l_e (mm)	A_e (mm ²)	V_e (mm ³)	L_o (nH)	IMPEDANCE (OHMS)			AL (nH/T ²)
				AT 0.5MHz	AT 1.0MHz	AT 5.0MHz	AT 100kHz
144	248	35,812	2.155	TBD Min.	TBD Min.	TBD Min.	10,750 Ref.
MEASURED WITH N=1 TURN, WL=3"							

FR# 75

 FAIR-RITE PRODUCTS CORP.							
TITLE ROUND SUPPRESSION CORE							
DRAWN BY D. FOOTE	DATE 04-30-2024	SIZE	PART NO.	REV.			
CHKD BY		B	2675828302	~			
APPRVD BY		SCALE	NONE	SHEET 1 of 1			