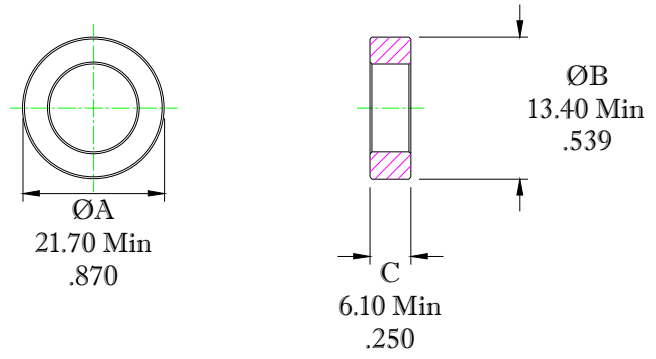


** Not all features are shown in this drawing. For more detailed information, please contact your Fair-Rite representative.

UNCONTROLLED ~CATALOG~ DRAWING

| | | |
|------|------------|------|
| SIZE | PART NO. | REV. |
| B | 2631801802 | ~ |



| ELECTRICAL SPECIFICATIONS | | | | | | |
|-----------------------------------|-------------------------|-------------------------|------------|------------------|---------|---------|
| l_e (mm) | A_e (mm) ² | V_e (mm) ³ | L_e (nH) | IMPEDANCE (ohms) | | |
| | | | | 10 MHz | 25 MHz | 100 MHz |
| 54.2 | 26.1 | 1415 | 0.6057 | TBD Min | TBD Min | TBD Min |
| MEASURED WITH N=1 TURN, WL=1-1/2" | | | | | | |

DIMENSIONS
BOLD DIMENSIONS ARE IN MILLIMETERS
 LIGHT DIMENSIONS ARE IN INCHES.

NOTES:
 1 - BURNISH TO BREAK SHARP EDGES.

| | | | | | |
|-----------------------------------|--------------------|-------|------------|--------------|--|
| FAIR-RITE PRODUCTS CORP. | | | | | |
| TITLE ROUND SUPPRESSION CORE | | | | | |
| DRAWN BY A. BARTLETT | DATE 10-27-2023 | SIZE | PART NO. | REV. | |
| CHKD BY | | B | 2631801802 | ~ | |
| APPRVD BY | | SCALE | NONE | SHEET 1 of 1 | |

FR# 31