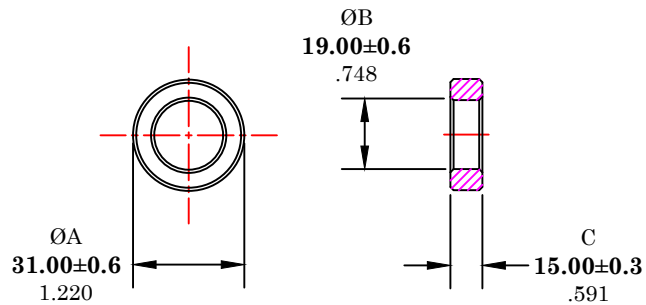


\*\* Not all features are shown in this drawing. For more detailed information, please contact your Fair-Rite representative.

UNCONTROLLED ~CATALOG~ DRAWING

SIZE	PART NO.	REV.
B	2675801802	~



ELECTRICAL SPECIFICATIONS						
$l_e$ (mm)	$A_e$ (mm <sup>2</sup> )	$V_e$ (mm <sup>3</sup> )	$L_o$ (nH)	IMPEDANCE (OHMS)		
				0.5 MHz	1.0 MHz	5.0 MHz
54.2	26.1	1415	0.6057	TBD Min.	TBD Min.	TBD Min.

N=1, TURN, WL=1-1/2"

DIMENSIONS  
**BOLD NUMBERS ARE IN MILLIMETERS**  
 LIGHT NUMBERS ARE IN INCHES

NOTES:

1 - BURNISH TO BREAK SHARP EDGES.

FR# 75

 <b>FAIR-RITE PRODUCTS CORP.</b>						
TITLE ROUND SUPPRESSION CORE						
DRAWN BY A. BARTLETT	DATE 07-21-2023	SIZE B	PART NO. 2675801802	REV. ~		
CHKD BY		APPRVD BY		SCALE NONE	SHEET 1 of 1	