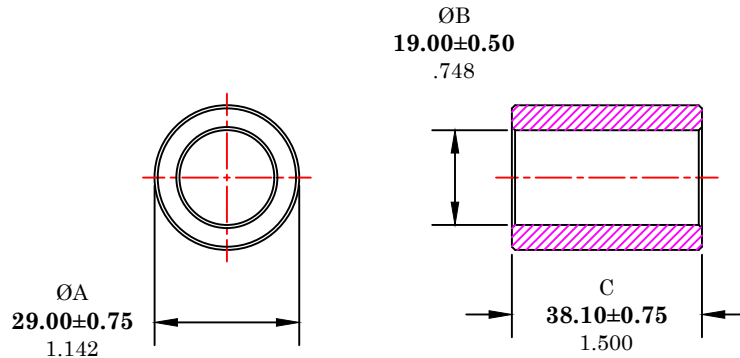


** Not all features are shown in this drawing. For more detailed information, please contact your Fair-Rite representative.

UNCONTROLLED ~CATALOG~ DRAWING

SIZE	PART NO.	REV.
B	2631103102	~



DIMENSIONS
BOLD NUMBERS ARE IN MILLIMETERS
 LIGHT NUMBERS ARE IN INCHES

ELECTRICAL SPECIFICATIONS							
$\Sigma l/A(\text{mm}^{-1})$	l_e (mm)	A_e (mm ²)	V_e (mm ³)	L_o (nH)	IMPEDANCE (ohms)		
					10 MHz	25 MHz	100 MHz
0.38999	73.2	188	13737	3.222	60 Min.	105 Min.	180 Min.
N=1 #22AWG WL=3"							

NOTES:

- 1 - BURNISH TO BREAK SHARP EDGES.
- 2 - IMPEDANCE MEASURED ON A HP4191A, USING A 16092A TEST FIXTURE, WITH FIXTURE COMPENSATION.

FR# 31

FAIR-RITE PRODUCTS CORP.							
TITLE ROUND SUPPRESSION CORE							
DRAWN BY A. BARTLETT	DATE 07/19/2023	SIZE	PART NO.	REV.			
CHKD BY		B	2631103102	~			
APPRVD BY		SCALE	NONE	SHEET	1	of	1