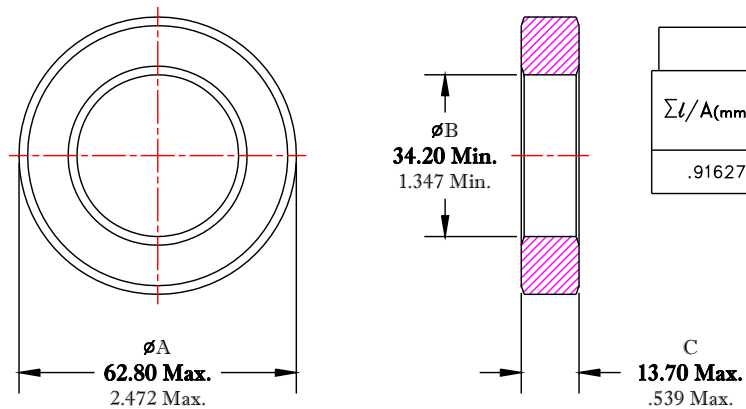


** Not all features are shown in this drawing. For more detailed information, please contact your Fair-Rite representative.

UNCONTROLLED ~CATALOG~ DRAWING

SIZE	PART NO.	REV.
B	5961003821	~



ELECTRICAL SPECIFICATIONS							
$\Sigma l/A(mm^{-1})$	$l_e (mm)$	$A_e (mm^2)$	$V_e (mm^3)$	$L_o (nH)$	$AL (nH)$ @10 kHz <10gauss	$\tan \delta/\mu_i$ @1 MHz 1gauss	$\tan \delta/\mu_i$ @10 MHz 1gauss
.91627	145	158	22800	1.371	170±25%	≤75X10E-6	≤350X10E-6
N = 15							

AFTER COATING

DIMENSIONS
BOLD NUMBERS ARE IN MILLIMETERS
 LIGHT NUMBERS ARE IN INCHES

NOTES:

- 1 - THIS PART TO BE THERMOSET PLASTIC COATED, USE APPROVED FR# 5961003801.
- 2 - COATING CAN WITHSTAND A MINIMUM BREAKDOWN OF 1000 Vrms UNIFORMLY APPLIED ACROSS THE "C" DIMENSION OF THE CORE.
- 3 - COATING THICKNESS = 0.25mm (.010") Max.

FR# 61

FAIR-RITE PRODUCTS CORP.				
TITLE				
COATED TOROID				
DRAWN BY	DATE	SIZE	PART NO.	REV.
J.SERENCIS	07-17-2018	B	5961003821	~
CHKD BY				
APPRD BY		SCALE	NONE	SHEET 1 of 1