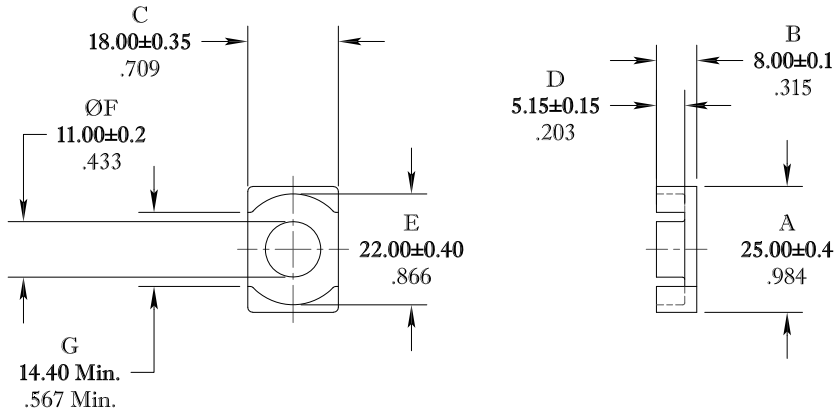


** Not all features are shown in this drawing. For more detailed information, please contact your Fair-Rite representative.

SIZE	PART NO.	REV.
B	9579250802	~


UNCONTROLLED ~CATALOG~ DRAWING



ELECTRICAL SPECIFICATIONS						
$\Sigma l/A(\text{mm}^{-1})$	l_e (mm)	A_e (mm ²)	A_{Min} (mm ²)	V_e (mm ³)	A_L (nH) @ 10kHz <10gauss	$\tan \delta/\mu_i$ @ 500kHz <1gauss
0.415	41.5	100	95	4150	$3100 \pm 25\%$	$\leq 15 \times 10^{-6}$
MATE PAIR: CLAMPING FORCE = 10 lbs.						

POWER LOSS @ 100°C
 $f = 500 \text{ kHz}, 500\text{g P.L.} < 0.747 \text{ Watts}$

DIMENSIONS
BOLD NUMBERS ARE IN MILLIMETERS
 LIGHT NUMBERS ARE IN INCHES

 FAIR-RITE PRODUCTS CORP.						
TITLE "EQ" CORE						
DRAWN BY D. FOOTE	DATE 10-21-2024	SIZE	PART NO.	REV.		
CHKD BY		B	9579250802	~		
APPRVD BY		SCALE	NONE	SHEET 1 of 1		

FR# 79