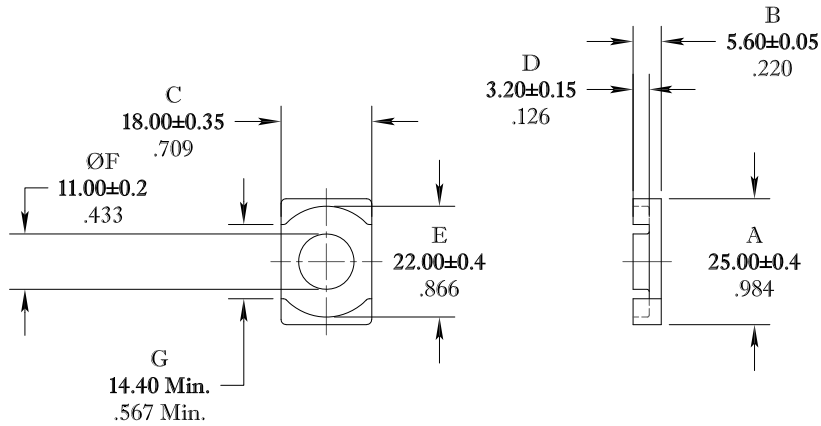


** Not all features are shown in this drawing. For more detailed information, please contact your Fair-Rite representative.

UNCONTROLLED ~CATALOG~ DRAWING

SIZE	PART NO.	REV.
B	9579250602	~



DIMENSIONS
BOLD NUMBERS ARE IN MILLIMETERS
 LIGHT NUMBERS ARE IN INCHES

ELECTRICAL SPECIFICATIONS						
$\Sigma l/A(\text{mm}^{-1})$	l_e (mm)	A_e (mm ²)	A_{Min} (mm ²)	V_e (mm ³)	A_L (nH) @10 kHz <10gauss	$\tan \delta/\mu_i$ @500 kHz <1gauss
0.352	32.8	93.3	82.8	3060	3480±25%	≤15X10E-6
MATE PAIR: CLAMPING FORCE = 10 lbs.						

POWER LOSS @ 100°C
 f = 500 kHz, 500g P.L. < 0.551 Watts

FAIR-RITE PRODUCTS CORP.					
TITLE "EQ" CORE					
DRAWN BY D.FOOTE	DATE 10-21-2024	SIZE B	PART NO. 9579250602	REV. ~	
CHKD BY		APPRVD BY	SCALE NONE	SHEET 1 of 1	

FR# 79