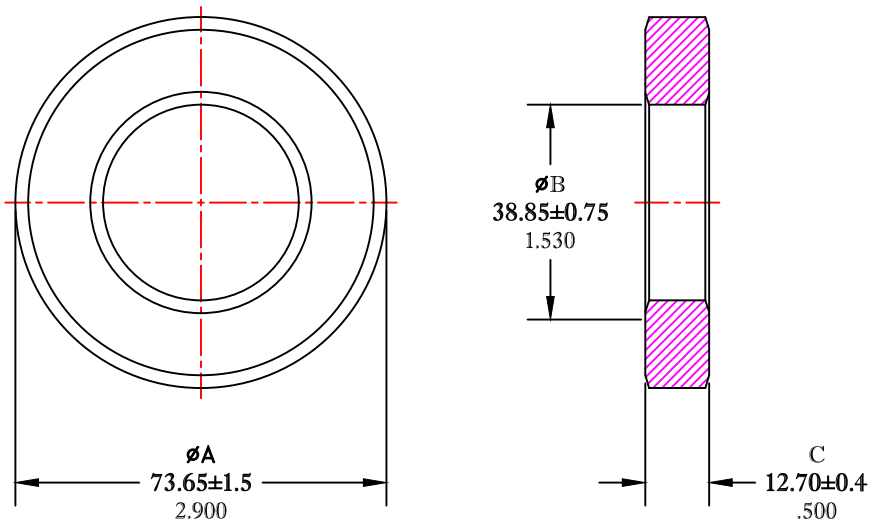


\*\* Not all features are shown in this drawing. For more detailed information, please contact your Fair-Rite representative.

UNCONTROLLED ~CATALOG~ DRAWING

SIZE	PART NO.	REV.
B	5978011101	~



DIMENSIONS  
**BOLD NUMBERS ARE IN MILLIMETERS**  
 LIGHT NUMBERS ARE IN INCHES

ELECTRICAL SPECIFICATIONS						
$\Sigma l/A(\text{mm}^{-1})$	$l_e$ (mm)	$A_e$ (mm <sup>2</sup> )	$V_e$ (mm <sup>3</sup> )	$L_o$ (nH)	$A_L$ (nH) @ 10 kHz <10gauss	$\tan \delta/\mu_i$ @ 100 kHz <1gauss
0.77368	165	213	35296	1.624	3740±25%	≤25X10E-6

NOTES:

- 1 - BURNISH TO BREAK SHARP EDGES.
- 2 - ELECTRICAL TESTING TO BE PERFORMED AS PER FAIR-RITE PRODUCTS CORP. SOP# ELC-45.

FR# 78

<b>FAIR-RITE PRODUCTS CORP.</b>						
TITLE TOROID						
DRAWN BY J.SERENCISCS	DATE 07-18-2018	SIZE B	PART NO. 5978011101	REV. ~		
CHKD BY				APPRVD BY	SCALE NONE	SHEET 1 of 1