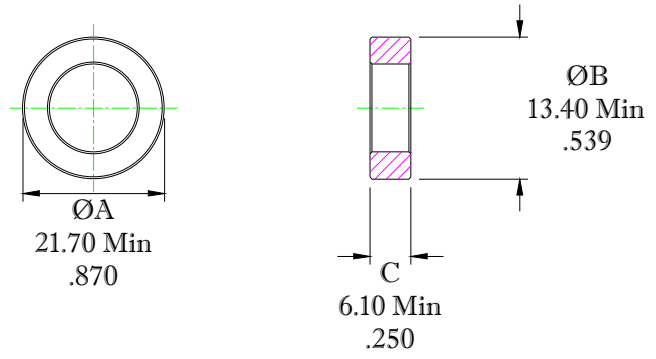


** Not all features are shown in this drawing. For more detailed information, please contact your Fair-Rite representative.

UNCONTROLLED ~CATALOG~ DRAWING

SIZE	PART NO.	REV.
B	2652801802	~




ELECTRICAL SPECIFICATIONS						
l_e (mm)	A_e (mm) ²	V_e (mm) ³	L_e (nH)	IMPEDANCE (ohms)		
				50 MHz	100 MHz	250 MHz
54.2	26.1	1415	0.6057	TBD Min	TBD Min	TBD Min

MEASURED WITH N=1 TURN, WL=1-1/2"

DIMENSIONS
BOLD DIMENSIONS ARE IN MILLIMETERS
 LIGHT DIMENSIONS ARE IN INCHES.

NOTES:
 1 - BURNISH TO BREAK SHARP EDGES.

 FAIR-RITE PRODUCTS CORP.					
TITLE ROUND SUPPRESSION CORE					
DRAWN BY A. BARTLETT	DATE 10-27-2023	SIZE	PART NO.	REV.	
CHKD BY		B	2652801802	~	
APPRVD BY		SCALE	NONE	SHEET 1 of 1	

FR# 52