

Part Number: 0344184751Q

44 OVAL CABLE CORE ASSEMBLY

Fair-Rite® offers our AEC-Q200 parts in both qualified and standard versions. While physically identical the qualified version includes full traceability and validation data required for automotive safety.

Explanation of Part Numbers:

- Digits 1 & 2 = Product Class
- Digits 3 & 4 = Material Grade

The B dimension is the core inside diameter.

Weight: 65 (g)

Dim	mm	mm tol	nominal inch	inch misc.
A	30.43	+/- 1.0	1.20	-
B	19.20	-	0.75 min	-
C	29.90	+/- 1.0	1.18	-
D	23.0	+/- 1.0	0.91	-
E	9.2	-	0.36 min	-

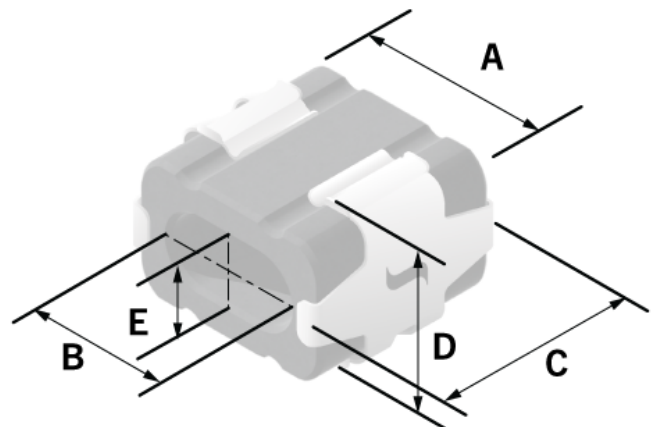


Chart Legend

+ Test frequency

•For solid cable cores, see Round Cable EMI Suppression Cores

Typical Impedance (Ω)	
25 MHz ⁺	82 min
100 MHz ⁺	130 min
Electrical Properties	
Ae(cm ²)	1.27
$\Sigma l/A$ (cm ⁻¹)	0.0583
l _e (cm)	7.41
V _e (cm ³)	9.41

Oval Cable Clip-It assemblies are controlled for impedances only. Minimum impedance values are specified for the + marked frequencies. The minimum impedance is typically the listed impedance less 20%.

Single turn impedance tests for 31, 43 and 46 material cores are performed on the E4991A/HP4291B Impedance Analyzer. The 61 material parts are tested on the E4991A / HP4291B Impedance Analyzer and 75 material parts are tested on the E4990A Impedance Analyzer. Cores are tested with the shortest practical wire length.

Typical Impedance (Ω)	
25 MHz ⁺	82
100 MHz ⁺	130