

Part Number: 0331184751

31 OVAL CABLE CORE ASSEMBLY

Explanation of Part Numbers:

- Digits 1 & 2 = Product Class
- Digits 3 & 4 = Material Grade

The B dimension is the core inside diameter.

Weight: 65 (g)

Dim	mm	mm tol	nominal inch	inch misc.
A	30.43	+/- 1.0	1.20	-
B	19.20	-	0.75 min	-
C	29.90	+/- 1.0	1.18	-
D	23.0	+/- 1.0	0.91	-
E	9.2	-	0.36 min	-

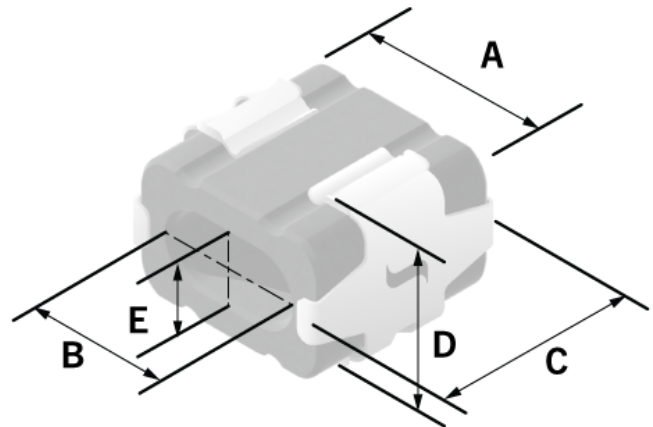


Chart Legend

+ Test frequency

• For solid cable cores, see Round Cable EMI Suppression Cores

Typical Impedance (Ω)	
10 MHz	59 Min

Typical Impedance (Ω)	
25 MHz ⁺	89 Min
100 MHz ⁺	150 Min
Electrical Properties	
Ae(cm ²)	1.27
$\Sigma l/A$ (cm ⁻¹)	0.0583
l _e (cm)	7.41
V _e (cm ³)	9.410

Round cable snap-it assemblies are controlled for impedances only. Minimum impedance values are specified for the + marked frequencies. The minimum impedance is typically the listed impedance less 20%.

Single turn impedance tests for 31, 43 and 46 material cores are performed on the E4991A/HP4291B Impedance Analyzer. The 61 material parts are tested on the E4991A / HP4291B Impedance Analyzer and 75 material parts are tested on the E4990A Impedance Analyzer. Cores are tested with the shortest practical wire length.

Typical Impedance (Ω)	
10 MHz	59
25 MHz ⁺	89
100 MHz ⁺	150

Fair-Rite Products Corp. • One Commercial Row, Wallkill, New York 12589-0288

888-324-7748 • 845-895-2055 • Fax: 845-895-2629 • ferrites@fair-rite.com • www.fair-rite.com