

Part Number: 0344184751

44 OVAL CABLE CORE ASSEMBLY

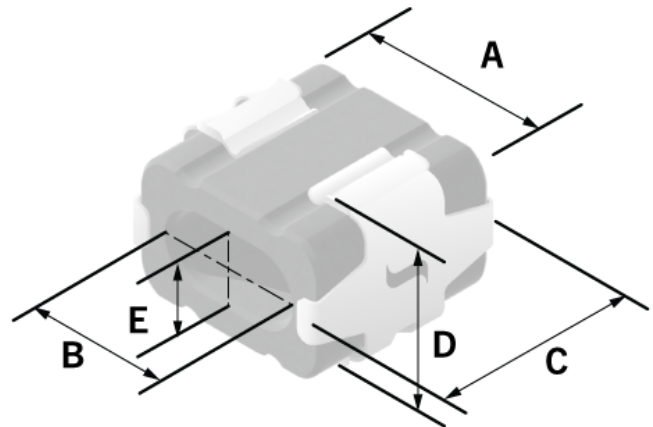
Explanation of Part Numbers:

- Digits 1 & 2 = Product Class
- Digits 3 & 4 = Material Grade

The B dimension is the core inside diameter.

Weight: 65 (g)

| Dim | mm    | mm tol  | nominal inch | inch misc. |
|-----|-------|---------|--------------|------------|
| A   | 30.43 | +/- 1.0 | 1.20         | -          |
| B   | 19.20 | -       | 0.75 min     | -          |
| C   | 29.90 | +/- 1.0 | 1.18         | -          |
| D   | 23.0  | +/- 1.0 | 0.91         | -          |
| E   | 9.2   | -       | 0.36 min     | -          |



**Chart Legend**

+ Test frequency

• For solid cable cores, see Round Cable EMI Suppression Cores

| Typical Impedance ( $\Omega$ ) |         |
|--------------------------------|---------|
| 25 MHz <sup>+</sup>            | 82 Min. |

| Typical Impedance ( $\Omega$ )    |          |
|-----------------------------------|----------|
| 100 MHz <sup>+</sup>              | 130 Min. |
| Electrical Properties             |          |
| Ae(cm <sup>2</sup> )              | 1.27     |
| $\Sigma l/A$ (cm <sup>-1</sup> )  | 0.0583   |
| l <sub>e</sub> (cm)               | 7.41     |
| V <sub>e</sub> (cm <sup>3</sup> ) | 9.410    |

Round cable snap-it assemblies are controlled for impedances only. Minimum impedance values are specified for the + marked frequencies. The minimum impedance is typically the listed impedance less 20%.

Single turn impedance tests for 31, 43 and 46 material cores are performed on the E4991A/HP4291B Impedance Analyzer. The 61 material parts are tested on the E4991A / HP4291B Impedance Analyzer and 75 material parts are tested on the E4990A Impedance Analyzer. Cores are tested with the shortest practical wire length.

| Typical Impedance ( $\Omega$ ) |     |
|--------------------------------|-----|
| 25 MHz <sup>+</sup>            | 82  |
| 100 MHz <sup>+</sup>           | 130 |

Fair-Rite Products Corp. • One Commercial Row, Wallkill, New York 12589-0288

888-324-7748 • 845-895-2055 • Fax: 845-895-2629 • ferrites@fair-rite.com • www.fair-rite.com