

Part Number: 0361184751

61 OVAL CABLE CORE ASSEMBLY

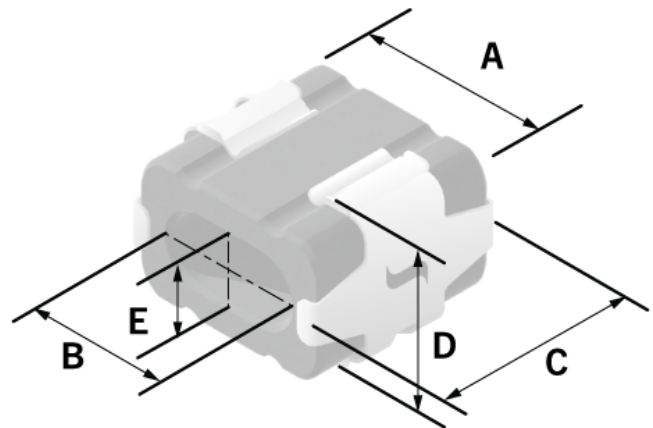
Explanation of Part Numbers:

- Digits 1 & 2 = Product Class
- Digits 3 & 4 = Material Grade

The B dimension is the core inside diameter.

Weight: 65 (g)

Dim	mm	mm tol	nominal inch	inch misc.
A	30.43	+/- 1.0	1.20	-
B	19.20	-	0.75 min	-
C	29.90	+/- 1.0	1.18	-
D	23.0	+/- 1.0	0.91	-
E	9.2	-	0.36 min	-



**Chart Legend**

+ Test frequency

• For solid cable cores, see Round Cable EMI Suppression Cores

Typical Impedance (Ω)	
100 MHz <sup>+</sup>	100 Min
250 MHz	175 Min

Electrical Properties	
$A_e(\text{cm}^2)$	1.27
$\Sigma l/A(\text{cm}^{-1})$	0.0583
$l_e(\text{cm})$	7.41
$V_e(\text{cm}^3)$	9.41

Round cable snap-it assemblies are controlled for impedances only. Minimum impedance values are specified for the + marked frequencies. The minimum impedance is typically the listed impedance less 20%.

Single turn impedance tests for 31, 43 and 46 material cores are performed on the E4991A/HP4291B Impedance Analyzer. The 61 material parts are tested on the E4991A / HP4291B Impedance Analyzer and 75 material parts are tested on the E4990A Impedance Analyzer. Cores are tested with the shortest practical wire length.

Typical Impedance ( $\Omega$ )	
100 MHz <sup>+</sup>	100
250 MHz	175

Fair-Rite Products Corp. • One Commercial Row, Wallkill, New York 12589-0288  
 888-324-7748 • 845-895-2055 • Fax: 845-895-2629 • ferrites@fair-rite.com • www.fair-rite.com