

Part Number: 9479223002

79 PLANAR E CORE 22/6/16-79

Planar EE and EI cores, with their low profile are suitable for board level installation allowing assembly without the need for plastic coilformers and can also allow windings integrated into multi-level PCBs. Planar ER cores with their low mass and low profile are suitable for Surface Mount installations in low power filter and transformer applications.

-Planar EE, ER and EI cores can be supplied with the center post gapped to a mechanical dimension, or an A_L value.

Weight: 7.7 (g)

Dim	mm	mm tol	nominal inch	inch misc.
A	21.80	± 0.40	0.858	-
B	05.70	± 0.1	0.224	-
C	15.80	± 0.3	0.622	-
D	3.20	± 0.1	0.126	-
E	16.80	± 0.4	0.661	-
F	5.00	± 0.1	0.197	-

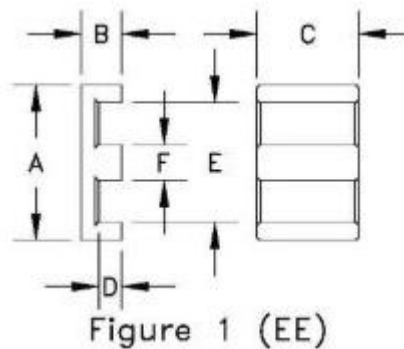


Chart Legend

$\Sigma l/A$: Core Constant, l_e : Effective Path Length, A_e : Effective Cross-Sectional Area, V_e : Effective Core Volume

A_L : Inductance Factor

Explanation of Part Numbers: Digits 1 & 2 = product class and 3 & 4 = material grade.

Electrical Properties	
A_L (nH)	3500+/- 25%
A_e (cm ²)	78.5
$\Sigma l/A$ (cm ⁻¹)	0.414
l_e (cm)	32.5
V_e (cm ³)	2560

Electrical Properties	
$A_{\min}(\text{cm}^2)$.858

A_L value is measured at 1 kHz, $B < 10$ gauss.

9479223002 is mated with [9379061002](#).

Fair-Rite Products Corp. • One Commercial Row, Wallkill, New York 12589-0288
888-324-7748 • 845-895-2055 • Fax: 845-895-2629 • ferrites@fair-rite.com • www.fair-rite.com